

LJV301 BOOSTER PUMP

INSTALLATION & OPERATING INSTRUCTIONS

INSTALLER – READ ENTIRE INSTRUCTION SHEET BEFORE PROCEEDING TO INSTALL.

POOL OWNER – PLEASE KEEP THESE INSTRUCTIONS FOR FUTURE REFERENCE.

BOOSTER PUMP INSTALLATION

Leave at least 100mm clearance at rear of motor to provide adequate motor ventilation. The Booster Pump should be installed in an adequately ventilated enclosure, where flooding cannot occur, to provide protection from rain, lawn sprinklers and splashing from pool water. Do not connect power cord to an extension lead. Installation must comply with AS/NZS 3000:2007, as amended.

The Booster Pump is factory-fitted with Male Threaded Nipples on both the suction and discharge ports. Connect the supplied Nuts and Tails to these Male Threaded Nipples and securely tighten the flexible hoses using the stainless steel clamps provided. The new Aqua-Quip Barbed Fitting is factory fitted to the end of the flexible hose. The Barbed Fitting will glue over 40mm pipe, or glue into a 50mm fitting.

Maximum total head of the Booster Pump is 32 metres.

The Booster Pump is to be supplied by an isolating transformer or supplied through a residual current device (RCD) having a rated residual operating current not exceeding 30mA.

ELECTRIC MOTOR

The electric motor should be protected from foreign matter. Never allow grass, shrubs or weeds to grow around the motor. Whenever a motor has become wet, let it dry before running it. If a motor has been shorted out by water, it voids the motor warranty. If the supply cord on the motor has been damaged, it must be replaced by the manufacturer, its service agent or similarly qualified persons in order to avoid a hazard. Cord part number: AQB900. The electric motor is fitted with a thermal overload switch. If motor overheats it will cut out and automatically re-start when the motor cools.

THE MECHANICAL SEAL

The mechanical shaft seal consists of two parts; a stationary spring tensioned seal with a polished carbon face and a rotating ceramic seat. It is the contact of these two materials which creates a seal between the Booster Pump “wet-end” and the electric motor. Running the Booster Pump without water (or not synchronised with the pool pump) creates heat and this will in turn damage the mechanical seal and other internal components. Booster Pumps can run dry of water and fail due to: low water level in pool; blocked skimmer or pump baskets; jammed skimmer weir flap; faulty pool pump; dirty filter or closed suction or discharge valves.

IF BOOSTER PUMP LEAKS

If the Booster Pump leaks underneath through the drain hole where the motor joins the Booster Pump, then the mechanical seal has failed. Immediately attend to this problem as a prolonged leak can cause motor damage.

BOOSTER PUMP WARRANTY

The Booster Pump “wet-end” and motor carries a two year warranty from date of installation. The warranty does not include the mechanical seal. For more information on warranty, refer to the Aqua-Quip Warranty Card.

DAMAGE CAUSED BY THE PUMP RUNNING WITHOUT WATER IS NOT COVERED UNDER WARRANTY.

LJV301 BOOSTER PUMP

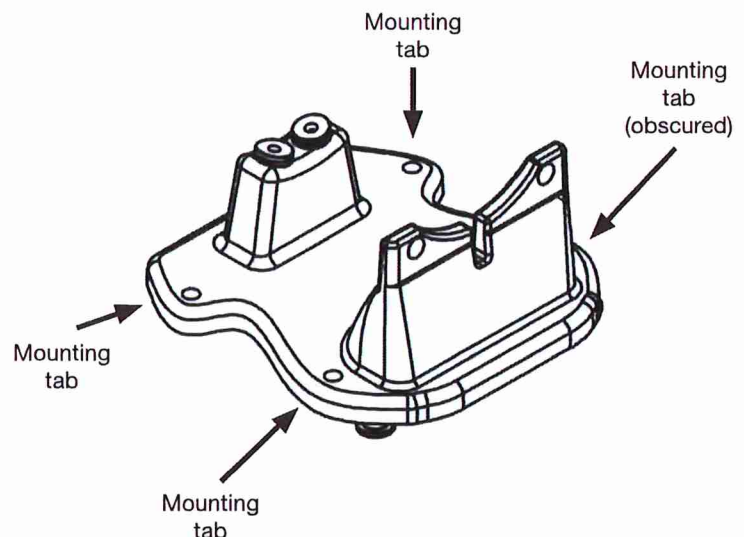
IMPORTANT INFORMATION FOR INSTALLER AND PRODUCT OWNER

- This appliance is not intended for use by young children or infirm persons unless they have been adequately supervised by a responsible person to ensure that they can use the appliance safely.
- Young children should be supervised to ensure they do not play with the appliance.
- **Caution:** before maintenance or servicing the Booster Pump in any way, ensure it is switched off and unplugged from the power supply.
- If the power supply cord on the motor is damaged, it must be replaced by the manufacturer, its service agent or similarly qualified persons in order to avoid a hazard, supply cord part number: AQB900.
- If affixing the Booster Pump to a support, use the 4 tabs (as marked) on the pump base to secure to a horizontal surface. Industrial rubber sheeting can be used under the pump base to minimise vibration noise. Do not mount Booster Pump on a wall or vertical surface.

For Service Technicians only:

When removing the impeller, the motor shaft will have to be held securely.

To gain easy access to the motor shaft, insert a 22mm open ended spanner into one of the shaft access windows, see Diagram A. The spanner can then be located on the "flats" of the brass shaft extension.



COPYRIGHT AUTOMATIC POOL CLEANERS (AUSTRALIA) PTY LTD

AQUAQUIP

Automatic Pool Cleaners (Australia) Pty Ltd
40 Percy Street, Auburn NSW 2144
Ph: 02 9643 8338 Fax: 02 9643 8448
www.aquaquip.com.au